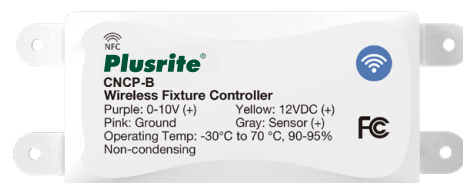


Wireless Fixture Controller with Long Range Antenna

Overview

- Single Channel 0-10VDC Dimming
- Mounts In Fixture
- Antenna Rated For IP65
- Zoning, Synchronous Dimming
- 12-24 VDC Power Supply
- 5dBi & 3dBi Indoor And Outdoor Antennas Available (order separately)



IP65 Extended Range Antenna should be mounted outside of Fixture

Applications

The CNCP-B Wireless Fixture Controller allows for one channel of 0-10VDC dimming. This device features an IP65 rated SMA, RP, female antenna connector.

Antenna must be ordered separately.

CNCP-B is controlled wirelessly via Wifi Mesh technology allowing for wireless dimming of LED lighting. The controller communicates with other devices such as switches and sensors via the wireless mesh network. The device outputs a 0-10VDC dimming signal to compatible drivers (and controls dim-to-off products) as well as a 12VDC Power Supply.

Specifically designed for indoor or outdoor lighting, this controller with long range antenna extends the range of Wifi mesh messages. Users can deploy cost-effective, robust Wifi mesh control across indoor and outdoor applications of all sizes.

Wireless Control Operation

Plusrite TM Mesh: The controller is a 2.4 GHz wireless communication and offers 0-10 v sensor connect and follow the action of the sensor. and set the group through the remote control, through Wi-Fi wireless linkage device.

Configuration of the device and mesh network is accomplished via the Plusrite remote control 2.4 GHz. By the self-developed wireless localization deployment method, devices can be freely connected to the act on one's own network, and sensor signals can also be automatically detected.

Sensor device as master pre-set groups will follow this master the signal is activated to achieve the function of localized wireless distribution network control for multiple controllers.



Summary

Product Type:
1-Channel Wireless Fixture Controller

Input Voltage | Current Consumption:
12-24VDC | 100mA

0-10V Output: 15 mA

Mounting: Controller fixture mount, antenna mounts outside of fixture to maximize range

Max Wifi Range 1:
50ft (15.24m for indoor)
150ft (45.72m for outdoor)

Operating Temperature:
-30° C to 70° C

Storage Temperature:
-40° C to 85° C

Relative Humidity:
90-95% non condensing at 30° C

Color: White

Warranty: 5 years

Note:
1. Wifi Range is highly dependent on the integration of fixtures, surrounding environment and conditions. It is recommended to conduct testing for range accuracy.

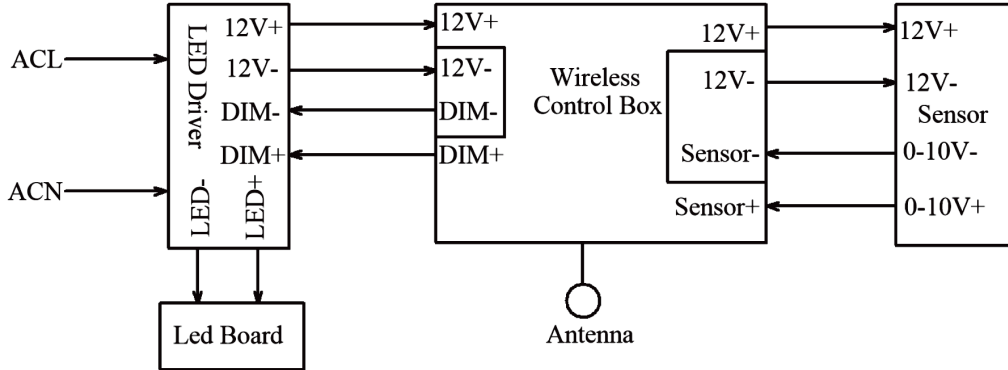
Wiring Table

Wire	Designation	Notes	Size
Pink	Pink1: 12VDC-/0-10V-(LED Driver) Pink2: 12VDC-/Sensor-(Sensor)	Common Ground	#22 AWG
Yellow	12VDC + Power Input	Power Input	
Purple (Violet)	0-10V+ Dim Output	Luminaire Control Output	
Gray	Sensor Dim Input	Luminaire Control Input	

Project

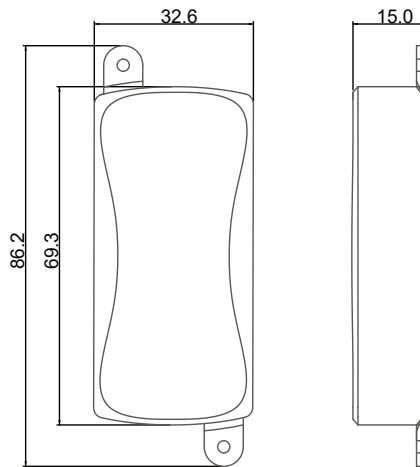
Location/Type

Wiring Example Application: Controller With Dim To Off Driver—12VDC Auxiliary Power, Long Range Antenna

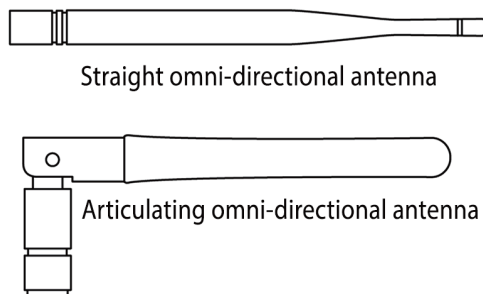


Physical Dimensions

Enclosure, Indoor Only:



Antenna Options



For Line to Low Voltage Power Supply/Controller, please see mwConnect PacWave Design and specifications are subject to change without notice.