



FG105 SPECIFICATION

FG105/XX0/730/60° /BK

PLUSRITE Floodlight FG105 has an integrated die-casting design. Its unique fins help to dissipate heat. The built-in power supply is more integrated and cost-effective. It is suitable for factory & warehouses, shopping malls & supermarkets, sports & fitness venues, etc.

Product data

General Information

Light source replaceable	No
Number of gear units	-
Driver/power unit/transformer	Driver
Driver included	Yes
Optic type	Symmetric/Asymmetric
Optical cover/lens type	Stalinite/PC
Luminaire light beam spread	30° /60° /90° /110x33°
Sensor socket	-
Cable length	-
Protection class IEC	Safety class I
Certifications	CE,CQC
Lifetime (hour)	50,000h
EU RoHS compliant	Yes
Light source engine type	LED

Operating and Electrical

Input power	200/250/300W
Input voltage	120-277Vac
Input frequency	50/60Hz
Current	1.75/2.19/2.63A max
THD	<20%
Power factor	>0.9

Mechanical and Housing

Housing material	Aluminum
Reflector material	PET
Optical cover/lens material	Stalinite/PC
Optical cover/lens finish	Clear
Product dimensions (mm)	
Product dimensions (inch)	
Product color	Black

Approval and Application

Ingress protection code	IP65
Mechanical impact protection code	IK07

Initial Performance (IEC Compliant)

Initial luminous flux	28000lm-200W / 35000lm-250W / 42000lm-300W
Luminous flux tolerance	+/-10%
Initial LED luminaire efficacy	140lm/W
Init.Corr.Color Temperature	3000K
Init.Color Rendering Index	>70
SCDM	≤7

Application Conditions

Ambient temperature range	-30 to +45°C
Dimming	0~10V/PWM

Logistical Data

Order product name	FG115/XX0/730/60° /BK
Net weight (piece)	-
Gross weight (piece)	-
Packaging dimensions (mm)	L*W*H-383.1*472.6*57mm-200W L*W*H-440.3*581*60mm-250/300W
Packaging dimensions (inch)	L*W*H-15.08*18.61*2.24in-200W L*W*H-17.33*22.87*2.36in-250/300W
Packaging unit (piece)	Folding carton box 1
Volumen (m ³)	-
Volumen (ft ³)	-

Application

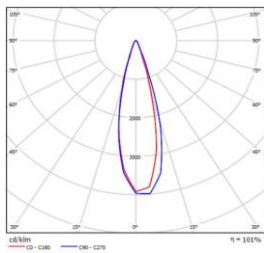
© advertising board

© high pole

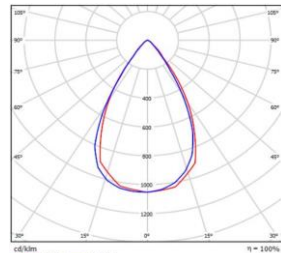
© Hallway

© factory & warehouses

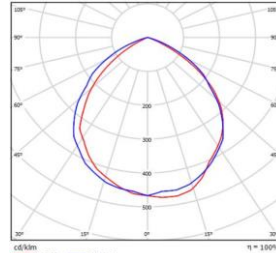
Light Distribution



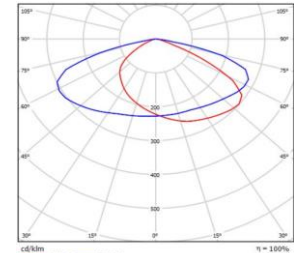
30°



60°

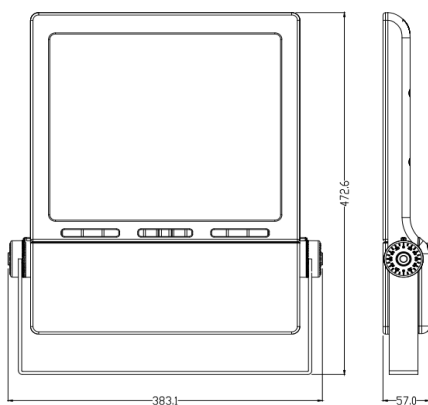


90°

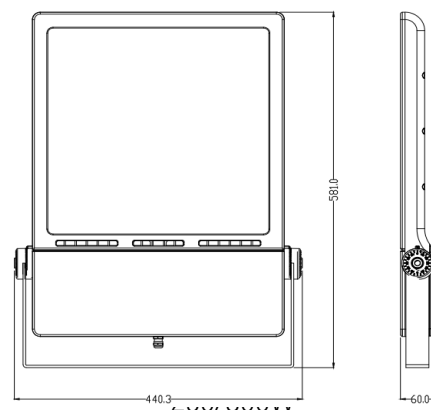


110x33°

Dimensional drawing



200W



Physical dimension (mm)

Accessories

Material	Description

Plusrite does not give any representation or warranty as to the accuracy or completeness of the information included herein and shall not be liable for any action in reliance thereon. The information presented in this document is not intended as any commercial offer and does not form part of any quotation or contract, unless otherwise agreed by Plusrite. Plusrite is registered.

www.plusrite.com