

Plusrite®

PLUSRITE ELECTRIC (CHINA) CO.,LTD



GK501 SPECIFICATION

GK501/***/840/BK

Product data

General Information

Light source replaceable	No
Number of gear units	-
Driver/power unit/transformer	Driver
Driver included	No
Optic type	Symmetric
Optical cover/lens type	Lens / Toughened glass
Luminaire light beam spread	60 / 90 / 120 Optical
Sensor socket	-
Cable length	-
Protection class IEC	Safety class I
Certifications	CE/CCC
Lifetime (hour)	50,000h
EU RoHS compliant	Yes
Light source engine type	LED

Operating and Electrical

Input power	100 / 150 / 200W (240W)
Input voltage	120-277Vac
Input frequency	50/60Hz
Current	1.7A max
THD	<20%
Power factor	>0.95

Mechanical and Housing

Housing material	Aluminum
Reflector material	-
Optical cover/lens material	Polycarbonate / Glass
Optical cover/lens finish	Clear
Product dimensions (mm)	φ280*185mm (100W) / φ340*187mm (150W) / φ400*196.5mm (200/240W)
Product dimensions (inch)	φ11.03*7.29 (100W) / φ13.39*7.37 (150W) / φ15.75*7.74 (200/240W)
Product color	Black

Approval and Application

Ingress protection code	IP65
Mech.impact protection code	IK08

Initial Performance (IEC Compliant)

Initial luminous flux	13000lm-100W / 19500lm-150W / 26000lm-200/240W
Luminous flux tolerance	+/-10%
Initial LED luminaire efficacy	130Lm/W
Init.Corr.Color Temperature	4000K
Init.Color Rendering Index	>80
SCDM	≤5

Application Conditions

Ambient temperature range	-30 to +45°C
Dimming	0-10V

Logistical Data

Order product name	GK501/***/840/BK
Net weight (piece)	3.3KG (100W) / 3.67KG (150W) / 4.58KG (200W) / 4.78KG (240W)
Gross weight (piece)	
Packaging dimensions (mm)	340*340*210mm (100W) 400*400*210 mm (150W) 460*460*210mm (200/240W)
Packaging dimensions (inch)	13.39*13.39*8.27 (100W) 15.75*15.75*8.27 (150W) 18.12*18.12*8.27 (200/240W)
Packaging unit (piece)	Folding carton box 1
Volumen (m ³)	0.025m ³ (100W) / 0.034m ³ (150W) / 0.045m ³ (200/240W)
Volumen (ft ³)	0.88 ft ³ (100W) / 1.20 ft ³ (150W) / 1.59 ft ³ (200/240W)

Application

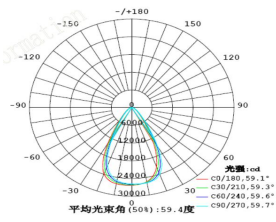
⊙ shopping mall

⊙ supermarket

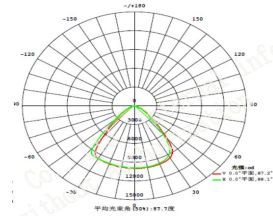
⊙ fitness venues

⊙ factory & warehouses

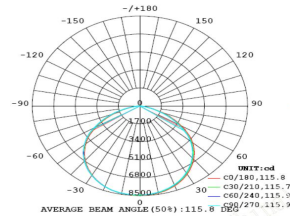
Light Distribution & Spectrum



60°

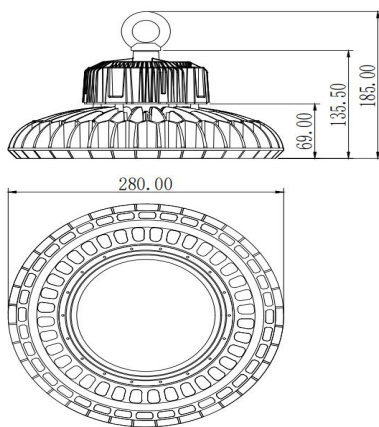


90°



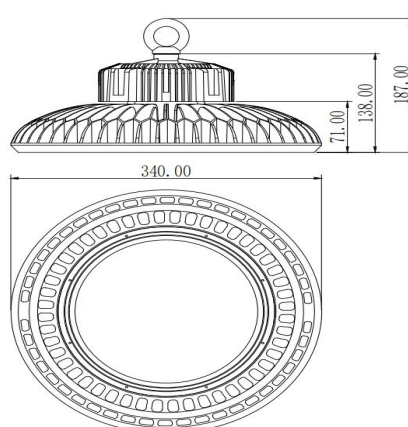
120°

Dimensional drawing

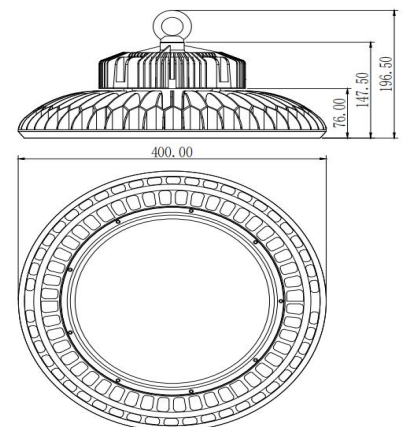


100W

Physical dimension (mm)






150W



200W

Accessories

Material	Description
 PC cover / Aluminum cover Reflector Diffuser	PC cover / Aluminum cover Two types of reflector
 Yoke Mount	Adjustable angle mounting bracket
 Emergency Power Supply	For emergency lighting

Plusrite does not give any representation or warranty as to the accuracy or completeness of the information included herein and shall not be liable for any action in reliance thereon. The information presented in this document is not intended as any commercial offer and does not form part of any quotation or contract, unless otherwise agreed by Plusrite. Plusrite is registered.