



FG104 SPECIFICATION

FG104/10/860/110° /BK

PLUSRITE Floodlight FG104 has an integrated die-casting design. Its unique fins help to dissipate heat. The built-in power supply is more integrated and cost-effective. It is suitable for factory & warehouses, shopping malls & supermarkets, sports & fitness venues, etc.

Product data

General Information

| | |
|-------------------------------|----------------|
| Light source replaceable | No |
| Number of gear units | - |
| Driver/power unit/transformer | Driver |
| Driver included | Yes |
| Optic type | Symmetric |
| Optical cover/lens type | Stalinite |
| Luminaire light beam spread | 110° |
| Sensor socket | - |
| Cable length | - |
| Protection class IEC | Safety class I |
| Certifications | CE |
| Lifetime (hour) | 25,000h |
| EU RoHS compliant | Yes |
| Light source engine type | LED |

Operating and Electrical

| | |
|-----------------|------------|
| Input power | 10W |
| Input voltage | 120-240Vac |
| Input frequency | 50/60Hz |
| Current | 0.085A max |
| THD | <20% |
| Power factor | >0.9 |

Mechanical and Housing

| | |
|-----------------------------|---------------|
| Housing material | Aluminum |
| Reflector material | PET |
| Optical cover/lens material | Stalinite |
| Optical cover/lens finish | Clear |
| Product dimensions (mm) | 119*132.3*28 |
| Product dimensions (inch) | 4.69*5.21*1.1 |
| Product color | Black |

Approval and Application

| | |
|-----------------------------|------|
| Ingress protection code | IP65 |
| Mech.impact protection code | IK07 |

Initial Performance (IEC Compliant)

| | |
|--------------------------------|---------|
| Initial luminous flux | 1200lm |
| Luminous flux tolerance | +/-10% |
| Initial LED luminaire efficacy | 120Lm/W |
| Init.Corr.Color Temperature | 5700K |
| Init.Color Rendering Index | >80 |
| SCDM | ≤5 |

Application Conditions

| | |
|---------------------------|--------------|
| Ambient temperature range | -30 to +45°C |
| Dimming | - |

Logistical Data

| | |
|-----------------------------|-----------------------|
| Order product name | FG104/10/860/110° /BK |
| Net weight (piece) | 0.33KG |
| Gross weight (piece) | - |
| Packaging dimensions (mm) | |
| Packaging dimensions (inch) | |
| Packaging unit (piece) | Folding carton box 1 |
| Volumen (m ³) | - |
| Volumen (ft ³) | - |

Application

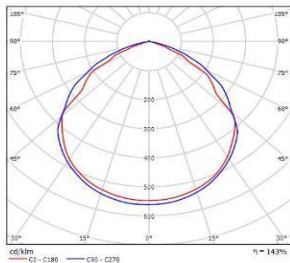
© advertising board

© high pole

© Hallway

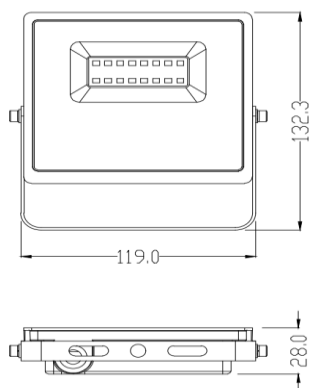
© factory & warehouses

Light Distribution



110°

Dimensional drawing



FG104-10W

Physical dimension (mm)

Accessories

| Material | Description |
|----------|-------------|
| | |
| | |
| | |
| | |

Plusrite does not give any representation or warranty as to the accuracy or completeness of the information included herein and shall not be liable for any action in reliance thereon. The information presented in this document is not intended as any commercial offer and does not form part of any quotation or contract, unless otherwise agreed by Plusrite. Plusrite is registered.